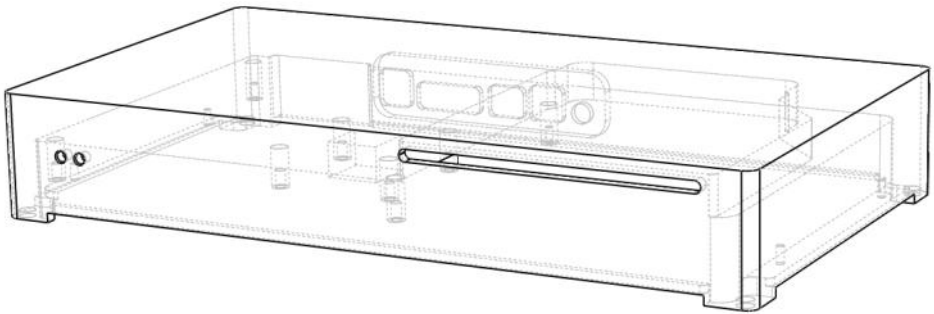


# RIP-N-PLAY

*Quick Start Guide*



**Your music, anytime, anywhere**

This unit when correctly installed and operated will provide many years of service. Please carefully read the safety notices, and setup guide, before attempting to use this state of the art appliance.

### **Safety information**

- Only locate this appliance in a normal living space, i.e. not outside or in an area with extreme temperatures or humidity. Do not expose to extended periods of direct sunlight—or locate near artificial heat (i.e. central heating radiator).
- The appliance is designed to cool itself without fans, it must be located in free flowing air, i.e. not in a closed cabinet. Also do not cover this appliance.
- Only use this unit with the supplied power supply. Do not cover the power supply, or the cables. If a replacement power supply is required, contact your dealer.
- Do not open or modify the unit in any way.
- Do not insert anything other than music discs into the front slot.
- Laser class 1—do not look directly into the front slot whilst a disc is ripping.

### **Environmental information**

RoHS (2002/95/EC)—this equipment complies with RoHS (Restriction of the Use of Certain Hazardous Substances in Electrical and Electronic Equipment )

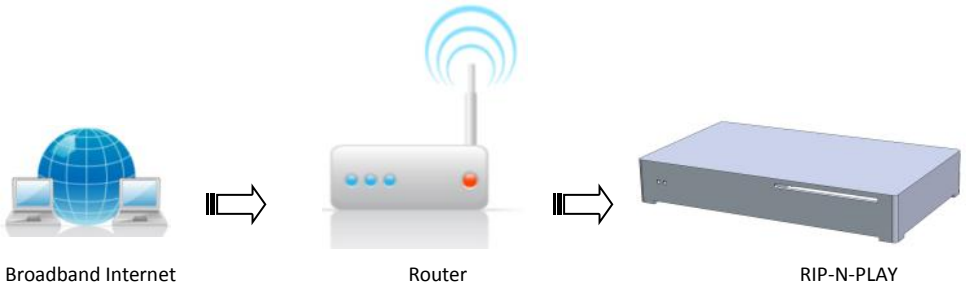
CE (EU 89/336/EEC ) — This equipment complies with EC Directive regarding radiated disturbance and Immunity

WEEE (EU Directive 2002/96/EC) — This equipment cannot be discarded as municipal waste at the end of its serviceable life. The manufacturer—AVA Media, or one of its representatives is obliged to accept back this equipment. You can return this equipment to local collection points.

### **What is supplied**

- RIP-N-PLAY Ripping Server unit
- AC/DC power supply with UK and EU power cord
- Ethernet cable
- Quick Start Guide

**1. Attach your RIP-N-PLAY to your home network by connecting to your broadband router**



Connect your RIP-N-PLAY to a spare port on your router, using the supplied Ethernet cable.

Once you have attached your RIP-N-PLAY to the router, power on the RIP-N-PLAY.

For local playback, connect a DAC or Amplifier to the S/PDIF or USB port.

**2. Once your RIP-N-PLAY has successfully started, you can access it from any PC or Mac on your network**

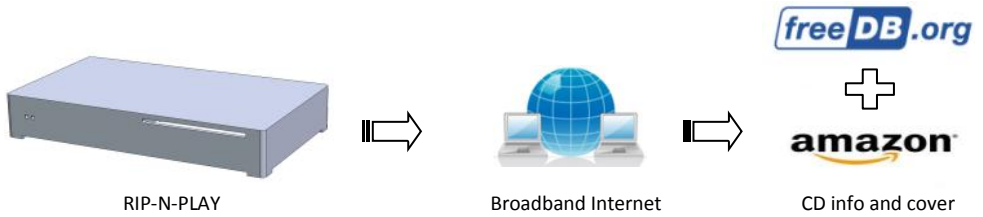


On a PC connected on the same network as your RIP-N-PLAY, open your preferred web browser and simply type `http://RIPNPLAY` into the address bar.

On a Mac type `http://RIPNPLAY.local`

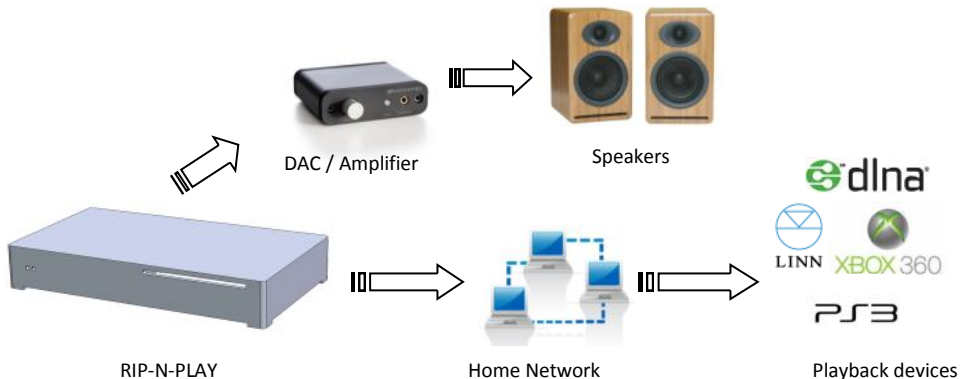
You will now see the RIP-N-PLAY web user interface.

**3. To record a CD, simply insert it into the CD drive slot.**



The RIP-N-PLAY is pre-configured; no additional set up is required. RIP-N-PLAY will access the internet and retrieve the CD information from freeDB and high quality cover art from Amazon.

**4. Once your disc has been recorded, it can be played via the outputs available or shared to a wide range of music players over your network, see example diagram:**



RIP-N-PLAY is pre-configured to serve to a wide range of playback devices over the network, such as Sonos, Linn, Xbox360 and Sony Playstation etc.

For more setup information, please refer to the user guide at:

<http://support1.ava-media.co.uk/>